



**Attention: check the correspondence with the revision of your product**

Model - Revision @ Code\_Document version

**EUROSWIM 300 M - N.1.- - @ 60122213\_a,c**

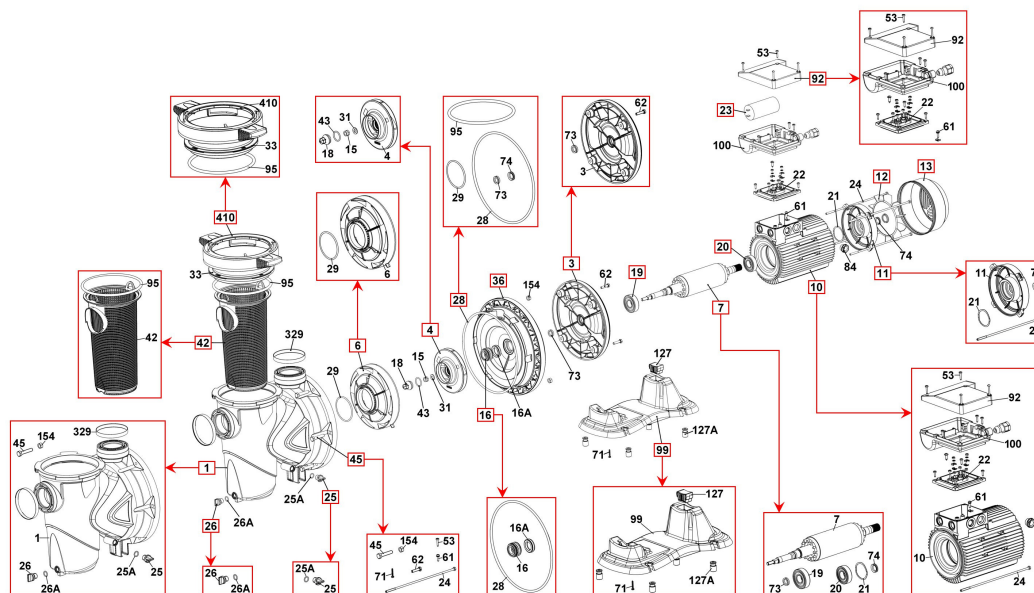
Receiver

From

Page: 3

Society  
Reference  
Phone  
Fax  
E-mail

Item	Q.ty	Item no.	Description	Unit pr.
1	1	R00010373	SP - PUMP BODY	On req.
3	1	R00010374	SP - SUPPORT	On req.
4	1	R00010552	SP - IMPELLER	On req.
6	1	R00010377	SP - DIFFUSER	On req.
7	1	R00009804	(SP) MOTOR SHAFT	On req.
10	1	R00010808	SP - MOTOR	On req.
11	1	R00010393	SP - FILTER COVER	On req.
12	1	R00010395	SP - FAN	On req.
13	1	R00010396	SP - FAN COVER	On req.
16	1	R00010388	SP - SHAFT SEAL D.19	On req.
19	1	R00010380	SP - BALL BEARINGS 6304-2RSH	On req.
20	1	R00010381	SP - BALL BEARINGS 6204-2RSH	On req.
23	1	R00010752	(SP) CAPACITOR 40UF	On req.
25	1	R00010367	SP - DISCHARGE CAP	On req.
26	1	R00010367	SP - DISCHARGE CAP	On req.
28	1	R00010399	(SP) ORING/GASKETS	On req.
36	1	R00010384	SP - FLANGE	On req.
42	1	R00010389	SP - FILTER	On req.
45	1	R00010401	SP - BOLTS&FASTNERS	On req.
92	1	R00010392	SP - TERMINAL BLOCK	On req.
99	1	R00010385	SP - BASE	On req.
410	1	R00010397	(SP) NUT RING	On req.



Project

Project ID

Created by

Created on  
11-05-2020

Last update